

# SPECIAL OFFER FACE MILLING CUTTERS

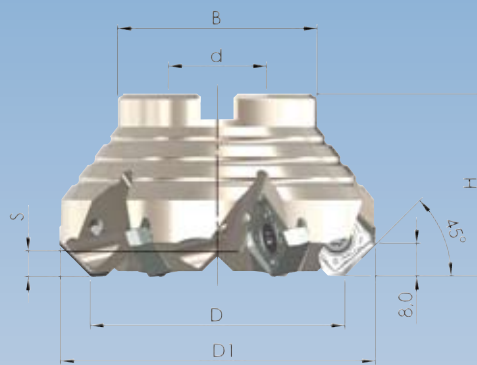


28.09. -  
02.10.2010

Different sets consisting of  
one milling tool and  
the appropriate inserts

starting at only **192,- €\***

## Face Milling Cutter FP 554



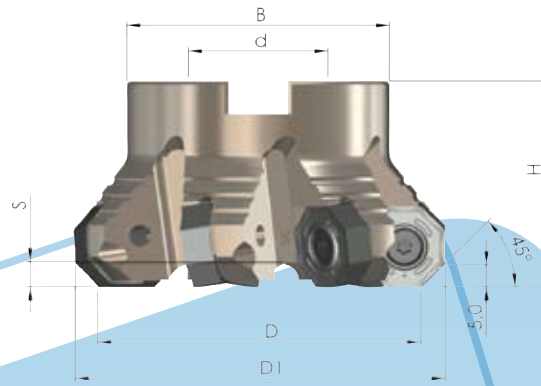
Article	D	D1	H	d	B	S	Z	List price	Special price
45PP-050-554-5	50	64,2	45	22	46	6,3	5	289,- €	<b>192,- €*</b>
1 packaging unit FP 554 (10 pieces)								141,- €	
45PP-080-554-6	80	94,2	55	27	58	6,3	6	365,- €	<b>204,- €*</b>
1 packaging unit FP 554 (10 pieces)								141,- €	



**Jongen Werkzeugtechnik GmbH & Co. KG**

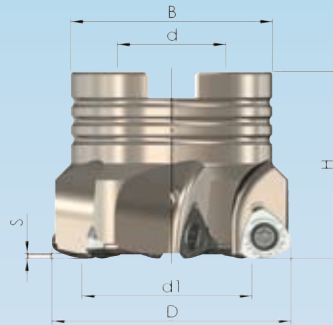
Siemensring 11 · 47877 Willich · Germany  
Phone: +49 2154 / 9285-55 · Fax: +49 2154 / 95 330 500  
www.jongen.de · email: info@jongen.de

## Face Milling Cutter FP 558



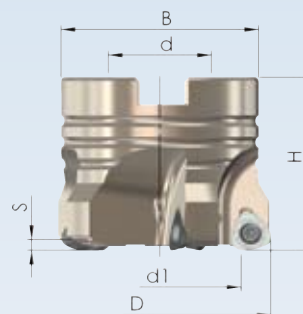
Article	D	D1	H	d	B	S	Z	List price	Special price
45PP-063-558-5	63	75,8	50	27	46	6,0	5	269,- €	<b>203,- €* </b>
1 packaging unit FP 558 (10 pieces)								127,- €	
45PP-100-558-7	100	112,8	50	32	64	1,5	7	389,- €	<b>230,- €* </b>
1 packaging unit FP 558 (10 pieces)								127,- €	

## Face Milling Cutter FP 545



Article	D	D1	H	d	B	S	Z	List price	Special price
00PP-066-545-6	66	45,5	50	27	54	1,35	6	359,- €	<b>233,- €* </b>
1 packaging unit FP 545 (20 pieces)								180,- €	
00PP-080-545-5	80	59,5	50	32	64	1,35	5	349,- €	<b>241,- €* </b>
1 packaging unit FP 545 (20 pieces)								180,- €	

## Face Milling Cutter FP 540



Article	D	D1	H	d	B	S	Z	List price	Special price
00PP-052-540-5	52	38,4	40	22	46	1,0	5	299,- €	<b>192,- €* </b>
1 packaging unit FP 540 (20 Stück)								147,- €	



Artikel	D	d1	L	d	N	S	Z	List price	Special price
00PP-20-540-2-80	20	8,3	135,5	20	80	1,0	2	299,- €	<b>192,- €* </b>
1 packaging unit FP 540 (20 Stück)								147,- €	

\* The special offer is valid till 31.12.2010, or while stocks last.  
Purchase only of complete sets as indicated above and at market usual order quantities. Errors and omissions are reserved