

SPECIAL OFFER STEP MILLING CUTTERS



Different sets consisting of
one milling tool and one box
of the appropriate inserts

starting at only **139,- €***



* This special offer is valid till 31.12.2010, or while stocks last.
Purchase only of complete sets as indicated above and at market usual order quantities.
Errors and omissions are reserved



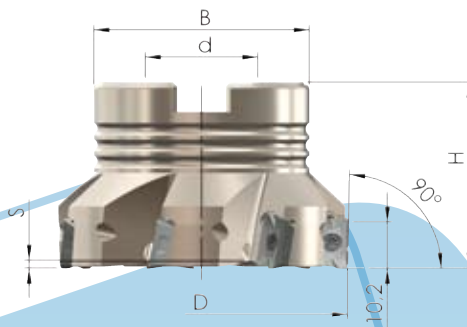
Jongen Werkzeugtechnik GmbH & Co. KG

Siemensring 11 · 47877 Willich · Germany

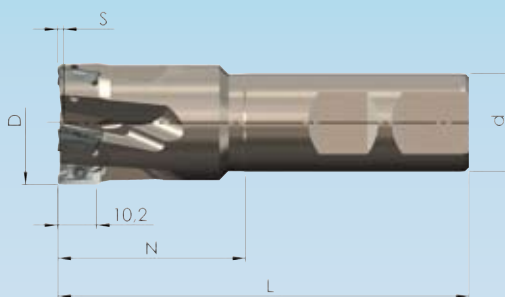
Phone: +49 2154 / 9285-55 · Fax: +49 2154 / 95 330 500

www.jongen.de · email: info@jongen.de

Step Milling Cutter FP 75

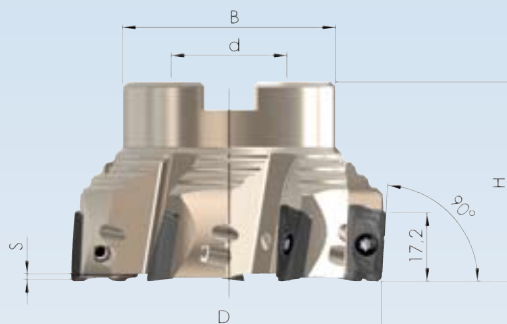


Article Code	D	H	d	B	S	Z	List price	Special price
90PP-050-75-6	50	40	22	46	2,0	6	225,- €	209,- €*
1 packaging unit FP 75 (20 pieces)							158,- €	
90PP-063-75-7	63	40	22	46	2,0	7	247,- €	220,- €*
1 packaging unit FP 75 (20 pieces)							158,- €	

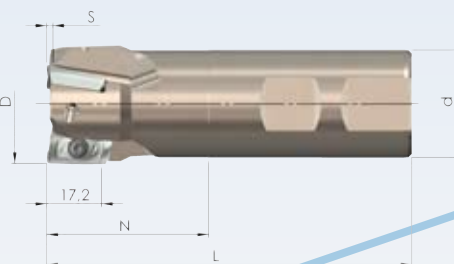


Article Code	D	L	d	N	S	Z	List price	Special price
90PP-20-30-75-3	20	81,8	20	30	2,0	3	154,- €	196,- €*
1 packaging unit FP 75 (20 pieces)							158,- €	

Step Milling Cutter FP 49



Article Code	D	H	d	B	S	Z	List price	Special price
90PP-080-49-7	80	50	27	53,5	1,8	7	343,- €	175,- €*
1 packaging unit FP 49 (10 pieces)							89,- €	
90PP-063-49-5	63	40	22	46	1,8	5	259,- €	149,- €*
1 packaging unit FP 49 (10 pieces)							89,- €	



Article Code	D	L	d	N	S	Z	List price	Special price
90PP-32-48-49-3	32	108,2	32	48	1,8	3	174,- €	139,- €*
1 packaging unit FP 49 (10 pieces)							89,- €	